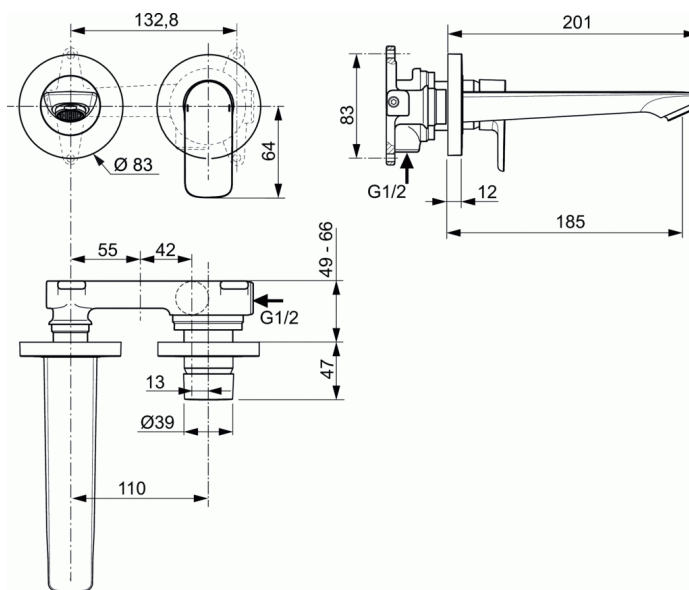


CONNECT AIR

Built-in basin mixer



Built-in basin mixer

Kit 2, based on A5948NU

Cast spout 185 mm

Metal handle with red and blue colour indication - printed on handle

Round escutcheons separate for handle and spout

28 mm cartridge

Aerator Perlator M24x1 with 5 l/min flow rate limiter

To be used only in combination with A5948NU Kit1 (internal part)

Noise class 1

Finishes:

- technology electroplating (AA)

- technology PVD (GN, A2, A5) - available in August 2020

Comply with EN817

Necessary equipment:

Built-in system Kit 1 for built-in basin mixer (A5948NU)

FINISHES*



AA



GN



A2



A5

* AA = Chrome, GN = Silver Storm, A2 = Brushed Gold, A5 = Magnetic Grey

KEY FEATURES & BENEFITS

